

SINGER
51W30,W31

Form 2557w
(838)

PRINTED IN U. S. A.

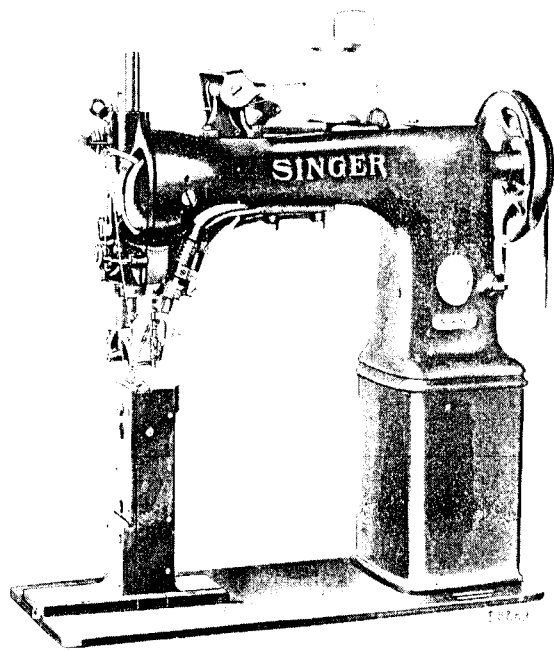
SINGER

51w30 and 51w31



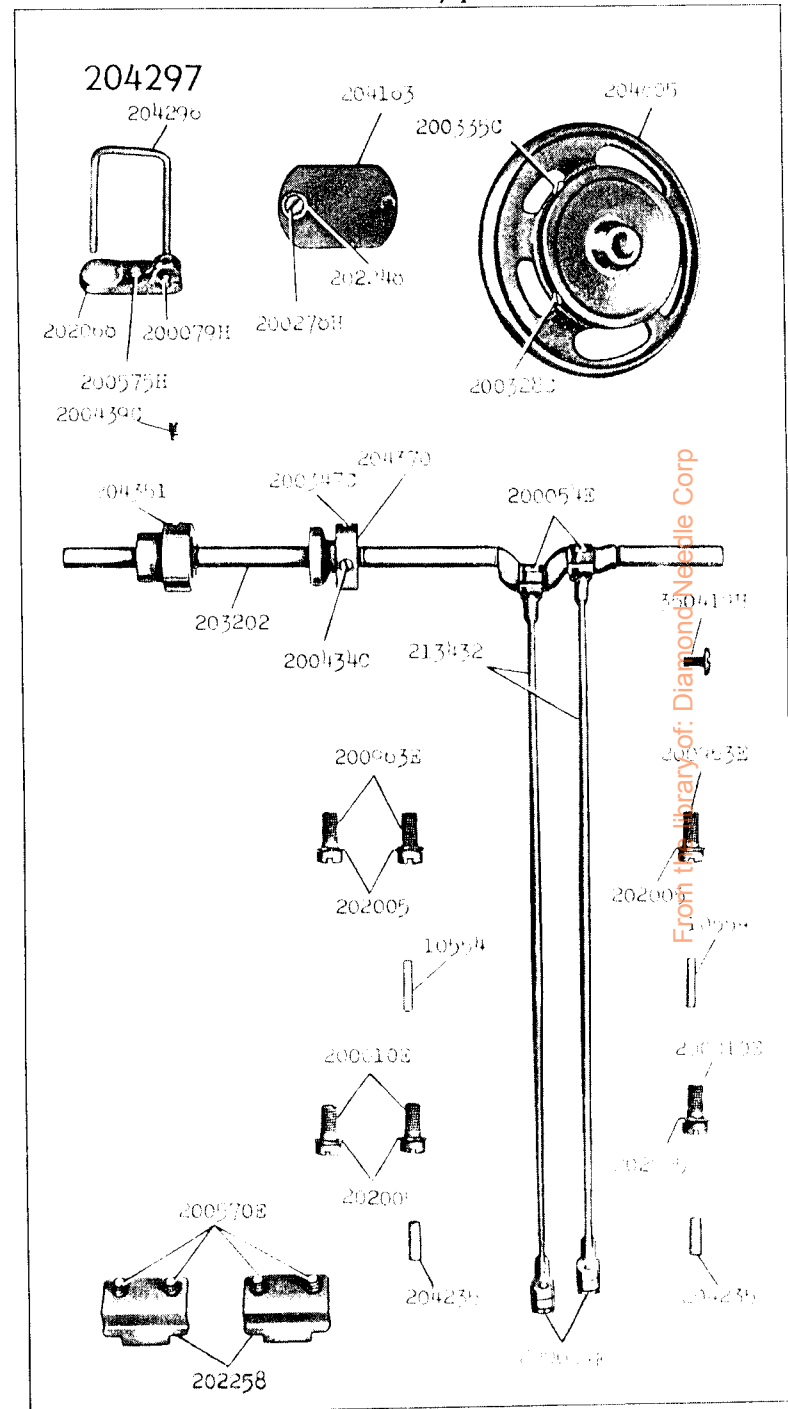
THE SINGER MANUFACTURING COMPANY

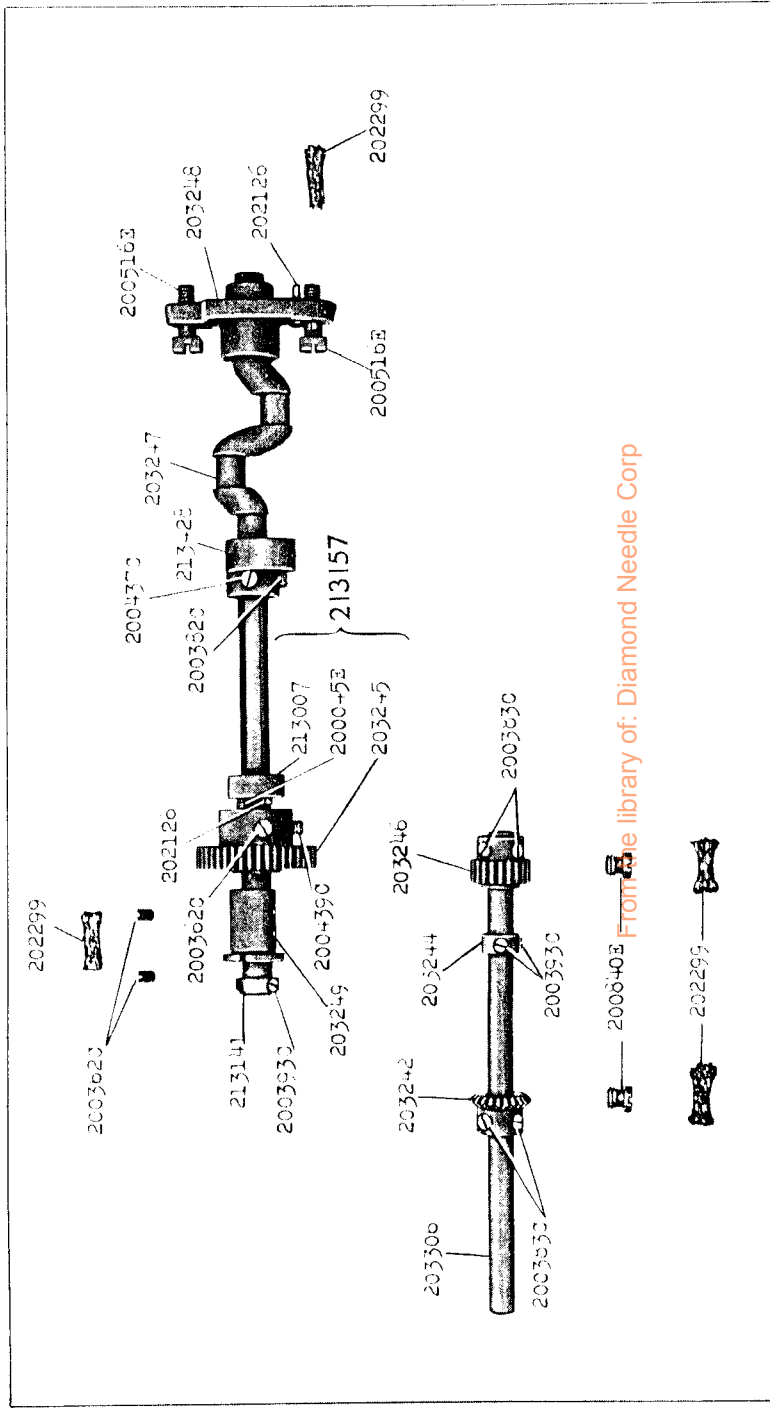
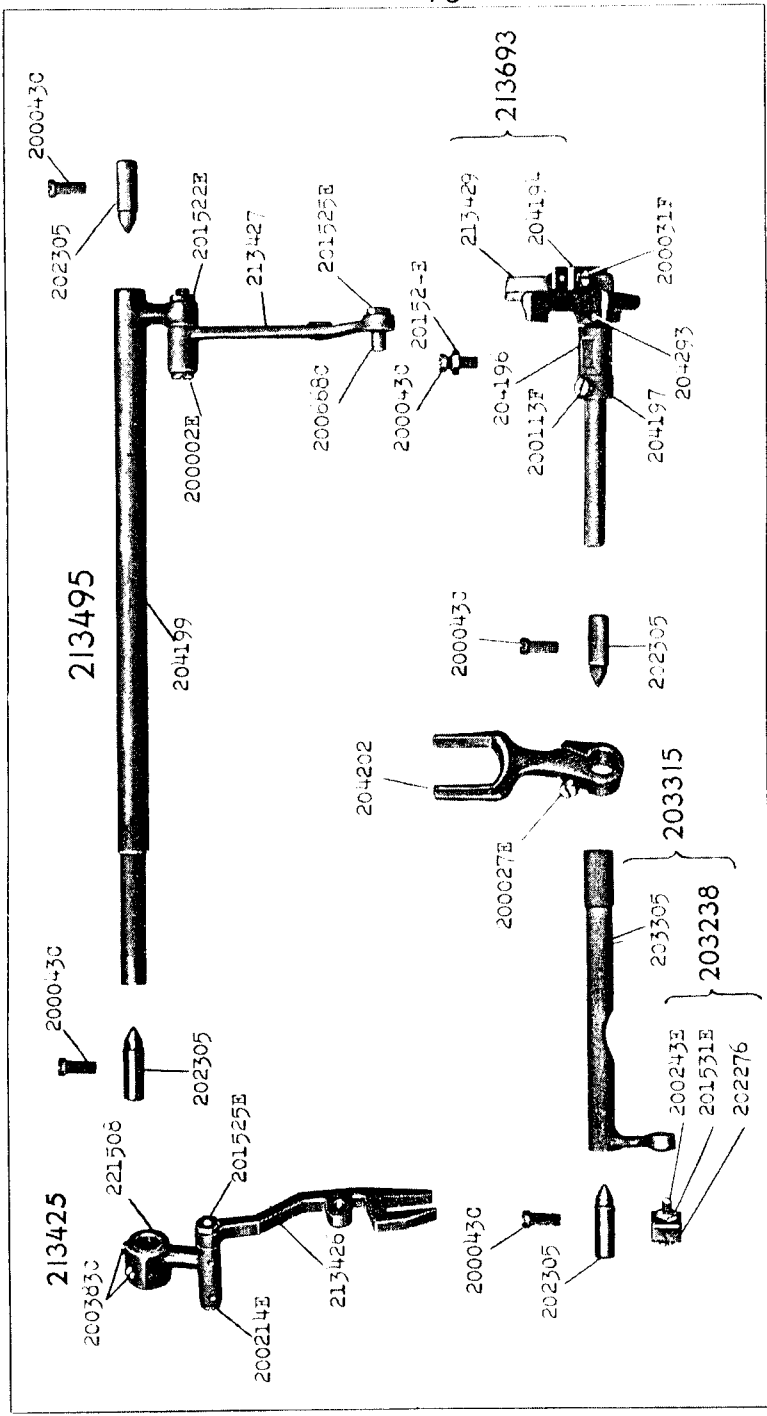
From the library of: Diamond Needle Corp



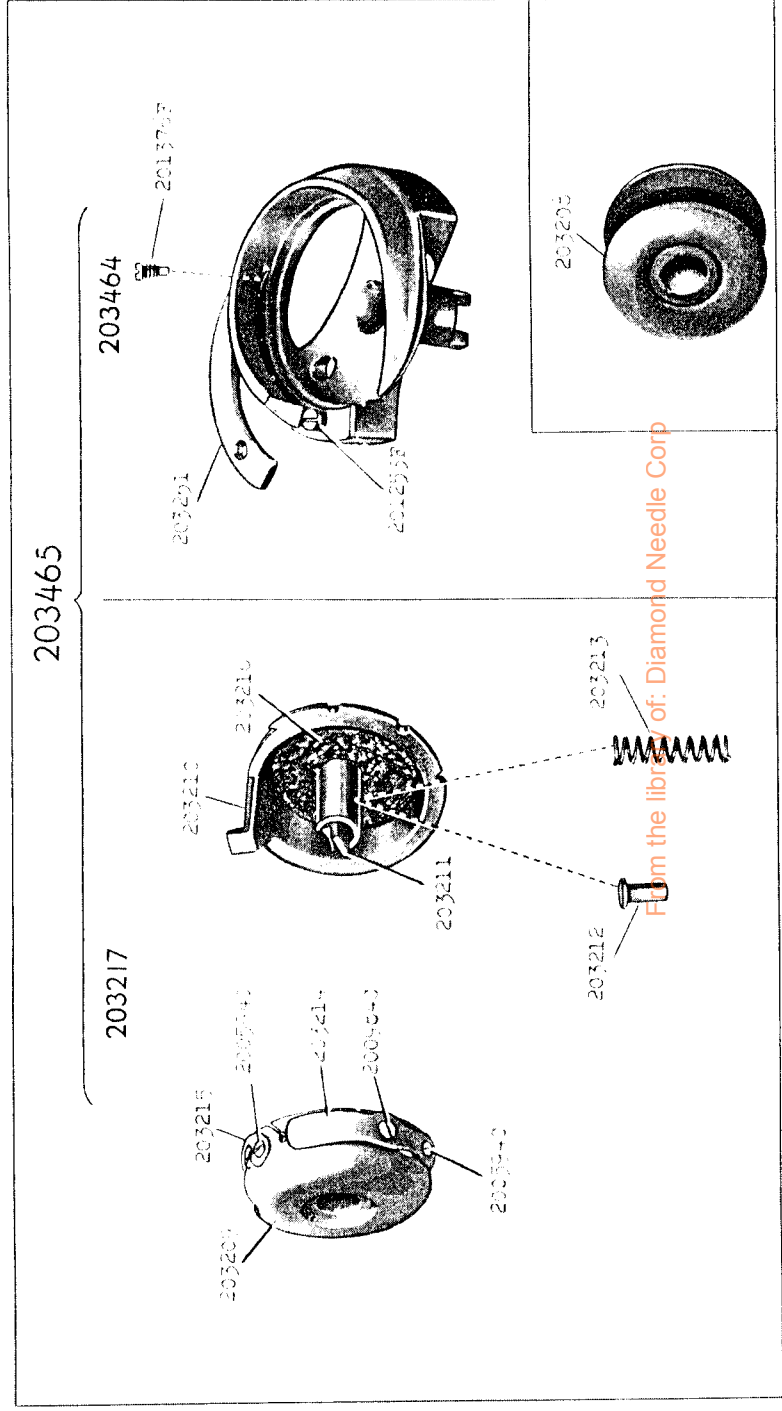
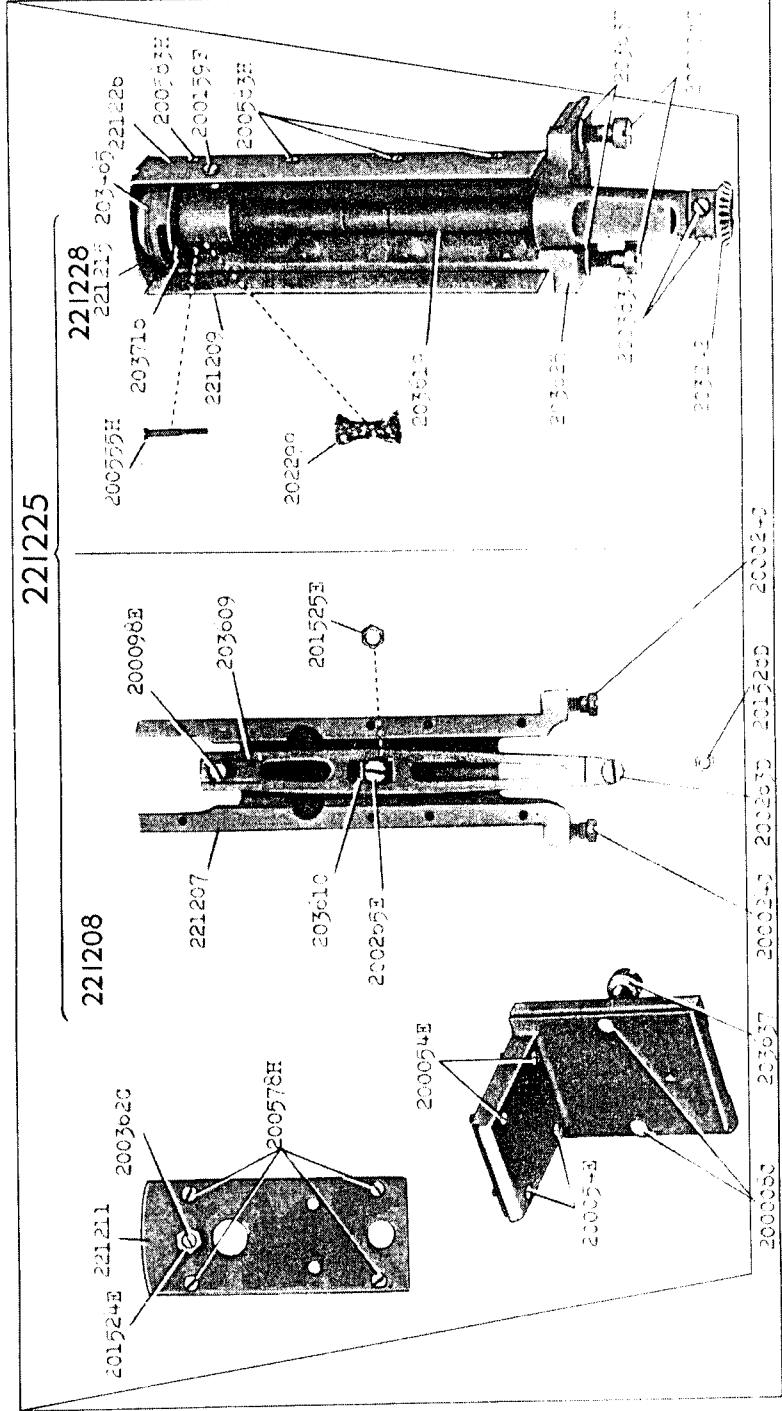
Copyright, U. S. A., 1938
 by The Singer Manufacturing Co.
 All Rights Reserved for all Countries

17606 - 1/4

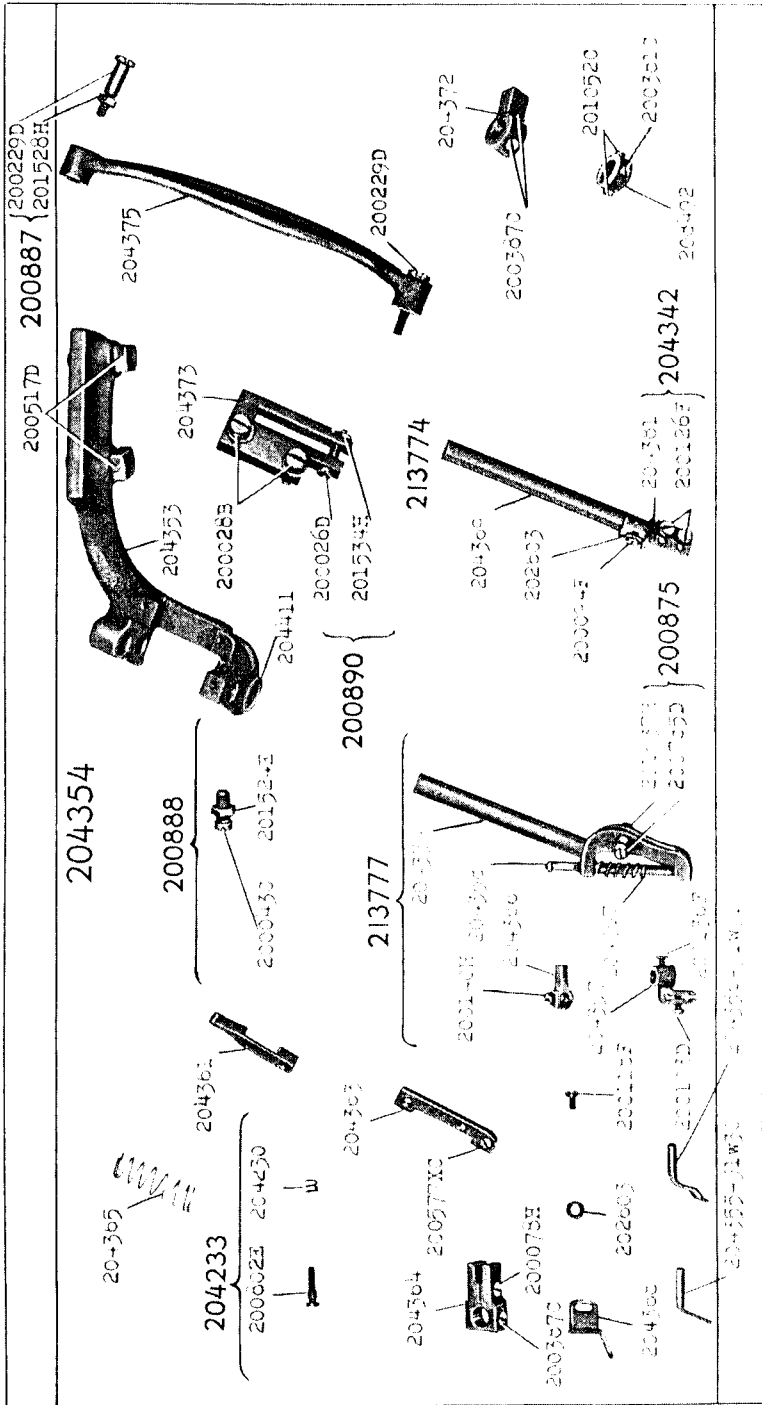




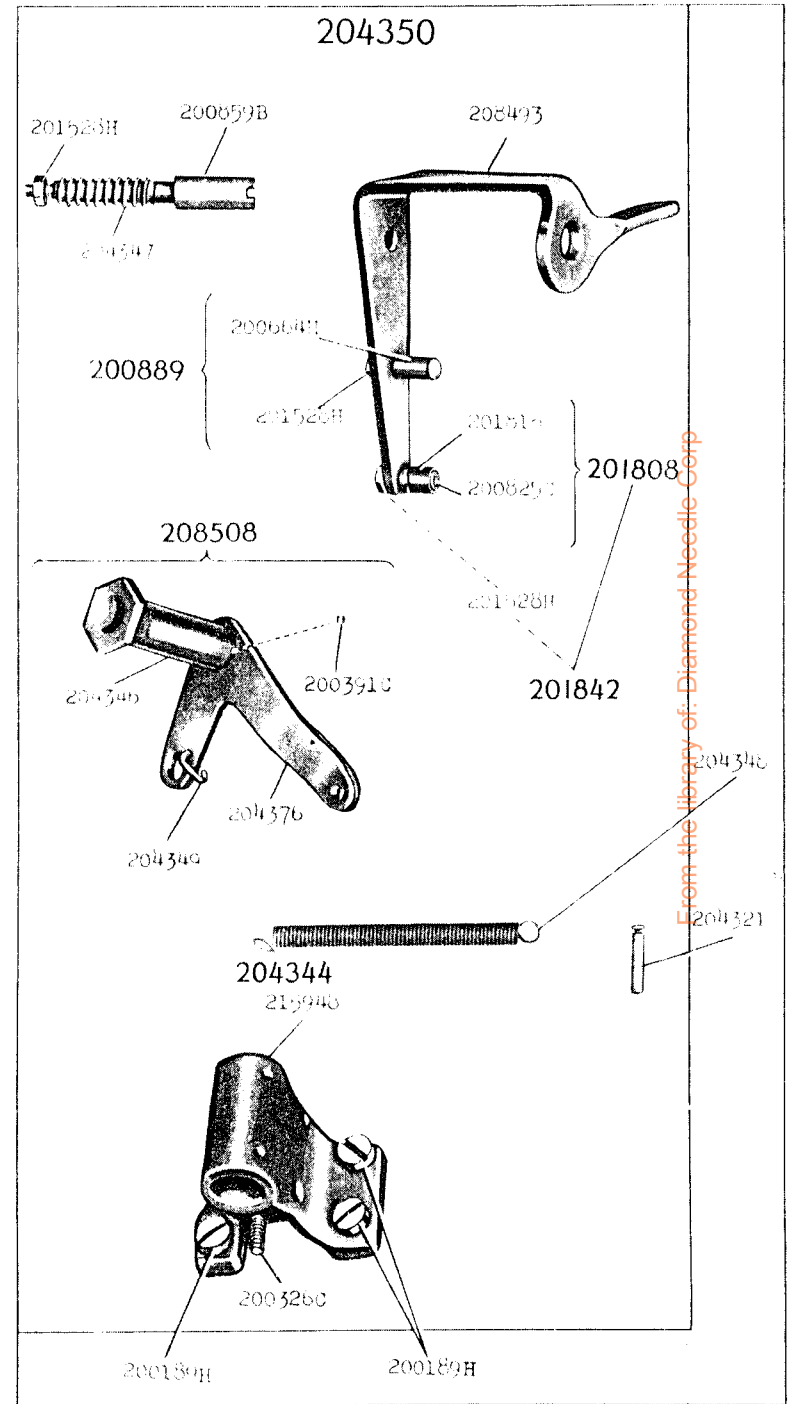
From the library of: Diamond Needle Corp



17611 - 1/3

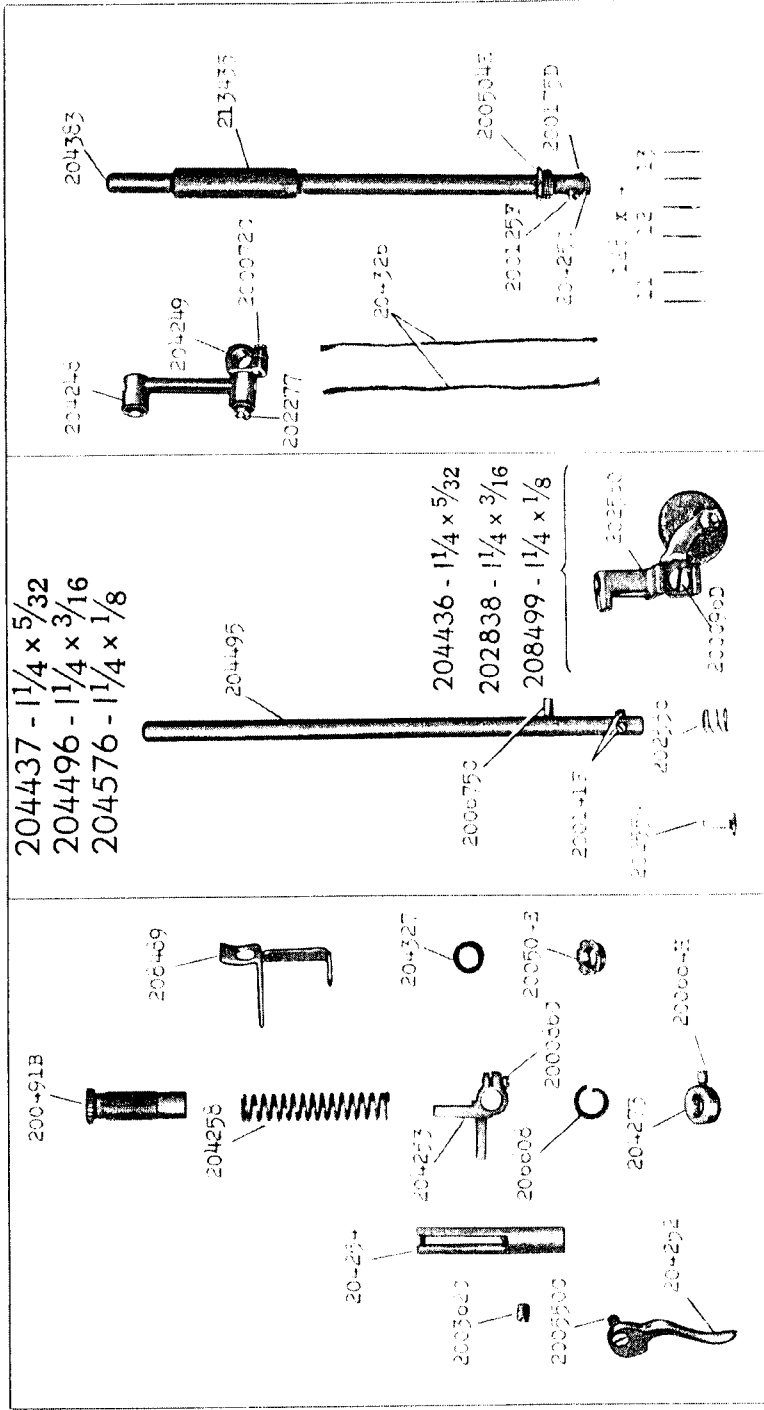


17612 - 1/2

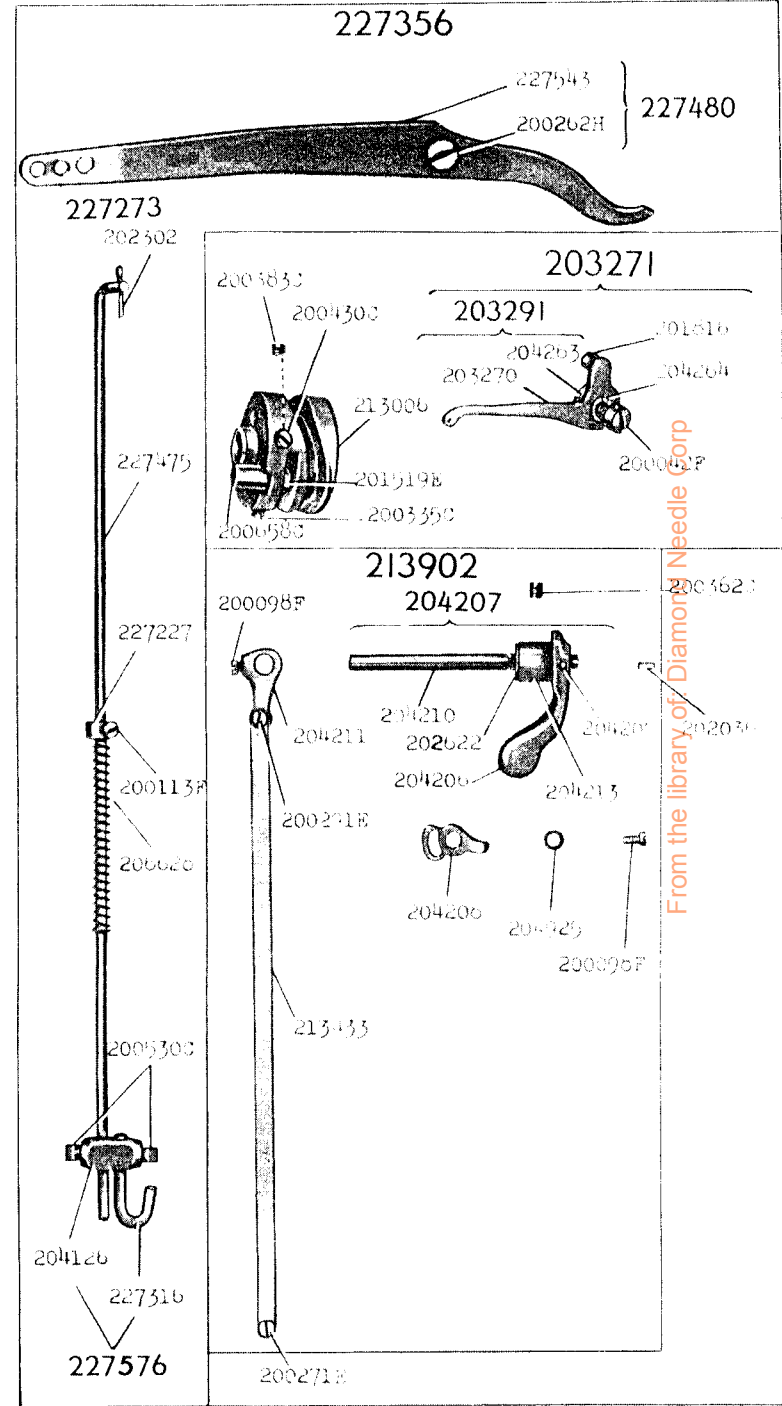


From the library of: Diamond Needle Corp

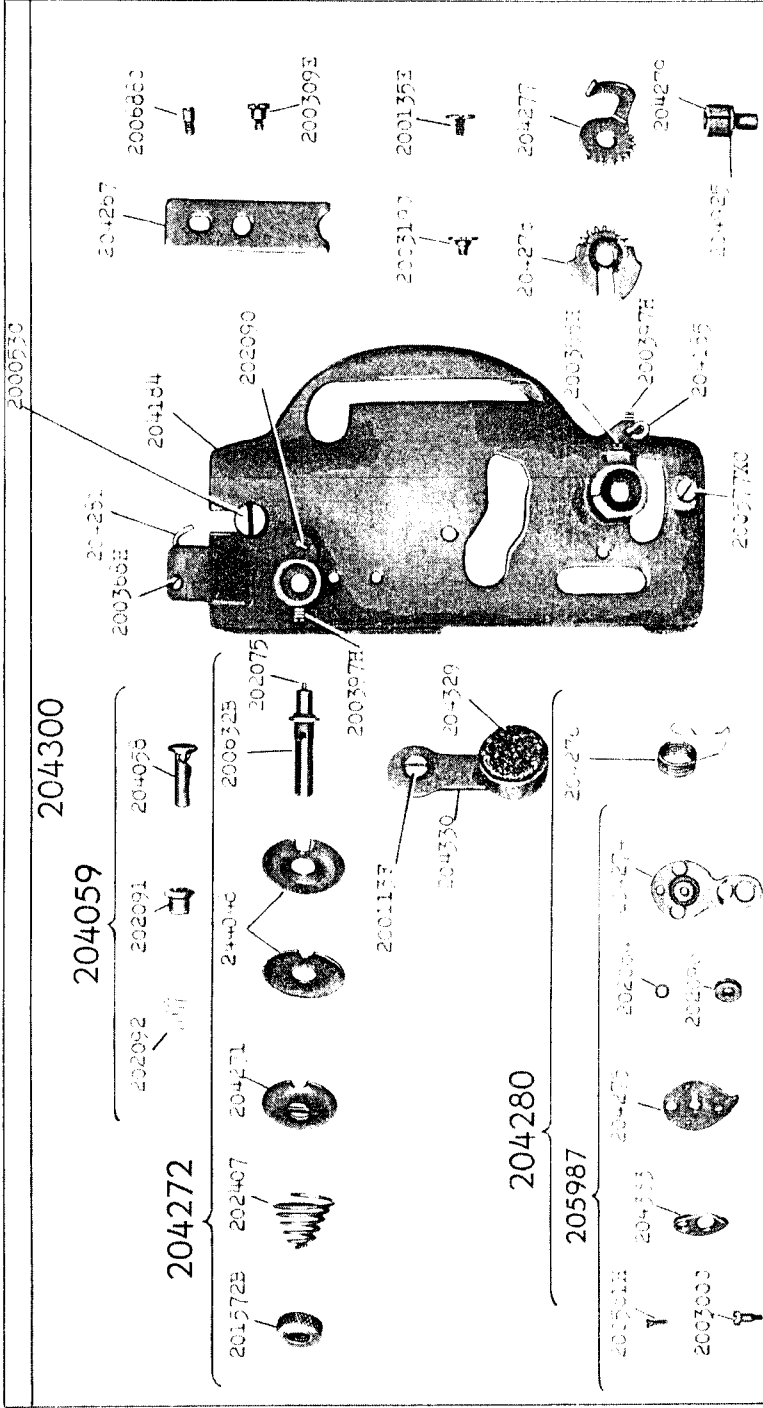
17613 - 1/3



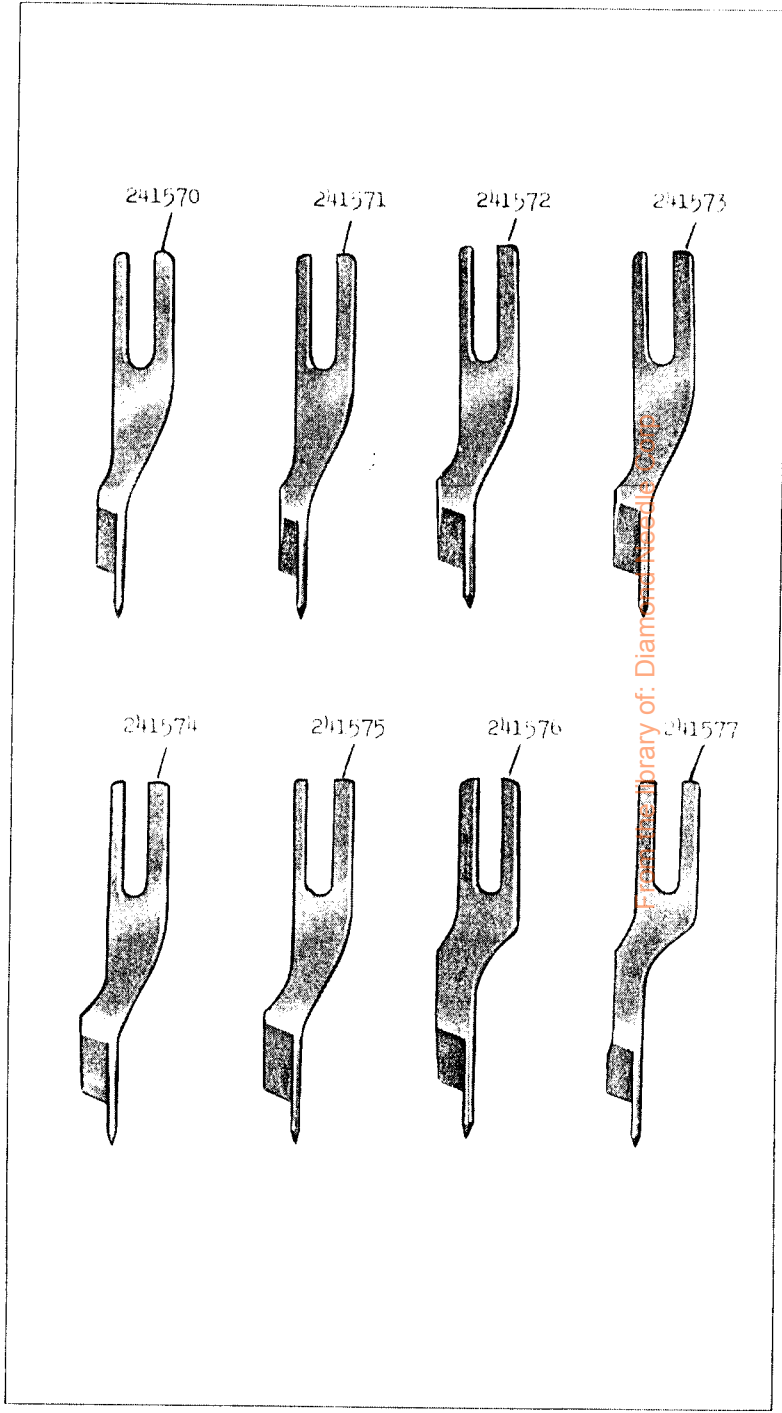
17614 - 1/3



17615 - 1/2

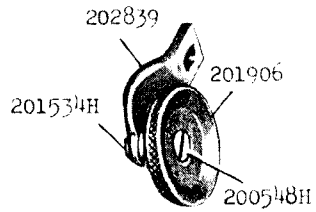


17616

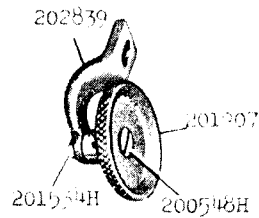


17617 - 1/2

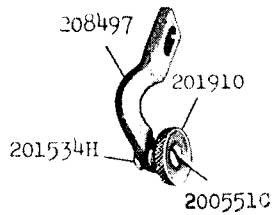
204567



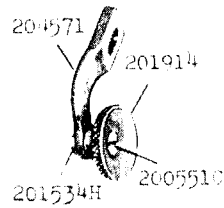
204569



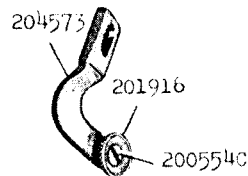
208498



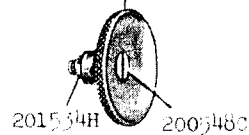
204572



204574



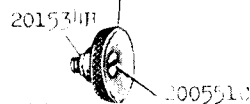
201908



201911



201909



201915

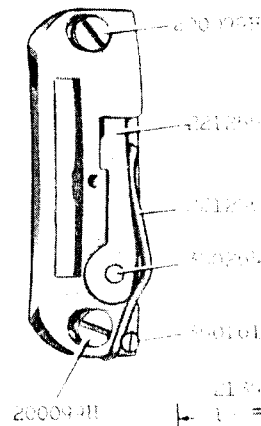


225437

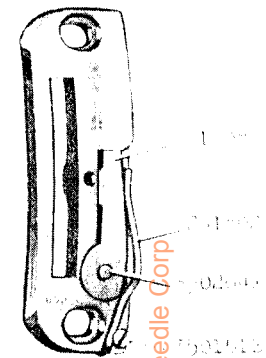


17618

241851-50
.015-.025-.035-.050
1w70

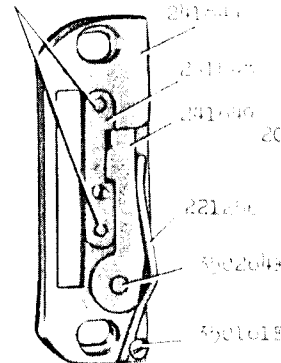


241851-50
.015-.025-.035-.050
1w70
241851-50
.040-.050-.070
1w71
241851-50
.050-.070-.075
1w71



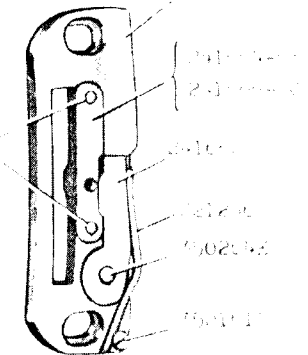
241845 - 50
.025 - .035

200997D 1w70



241850 53
.040 - .050
241851-50
.050

200997D 1w71 1w71

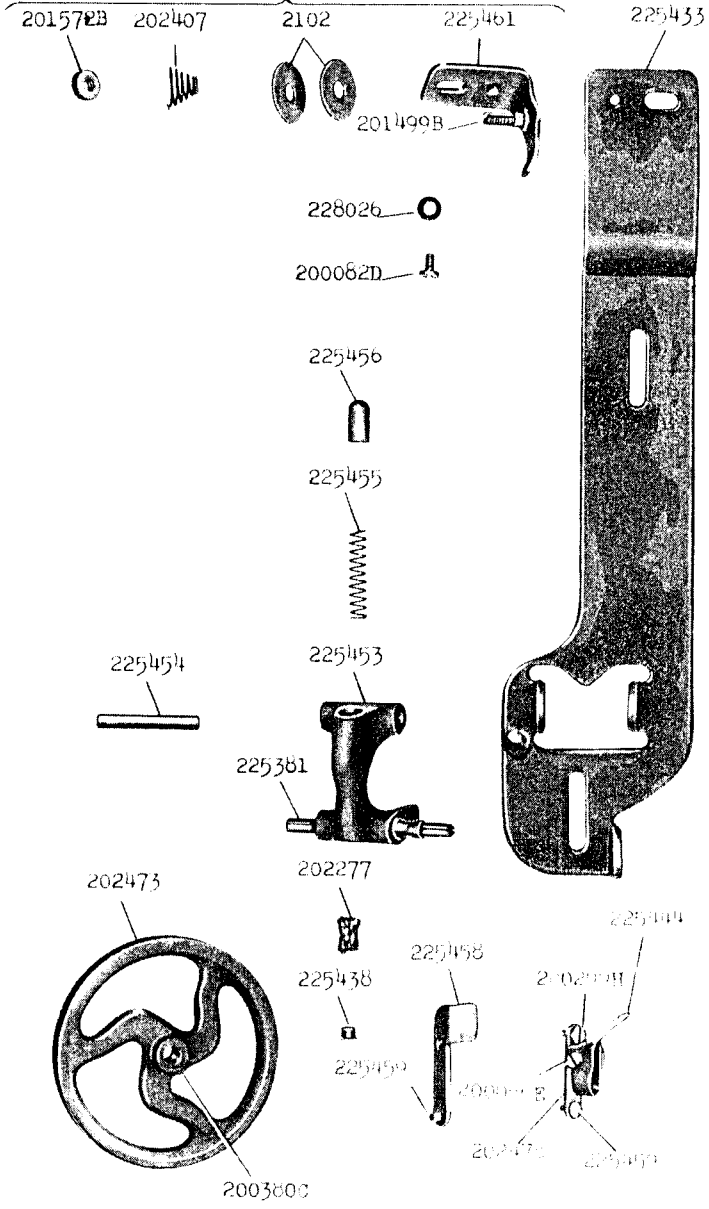


From the library of: Diamond Needle Corp

17619 - 1/3

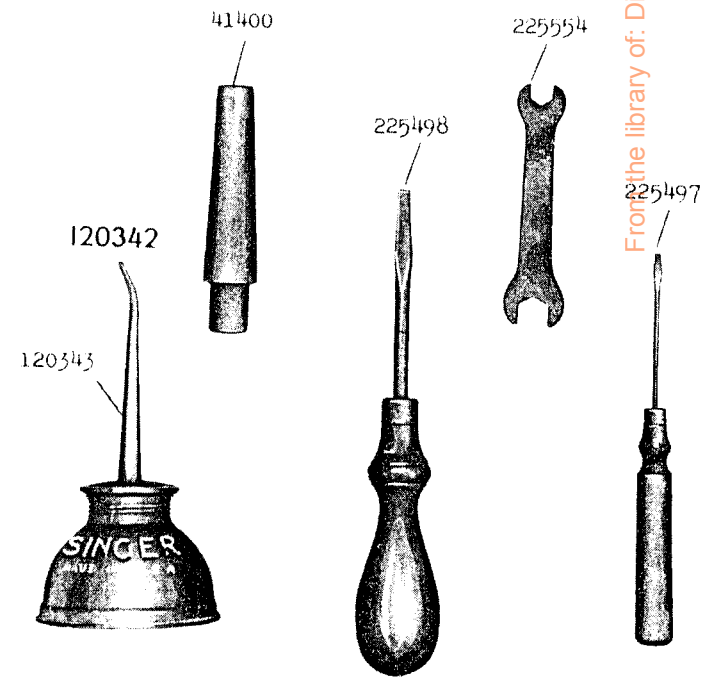
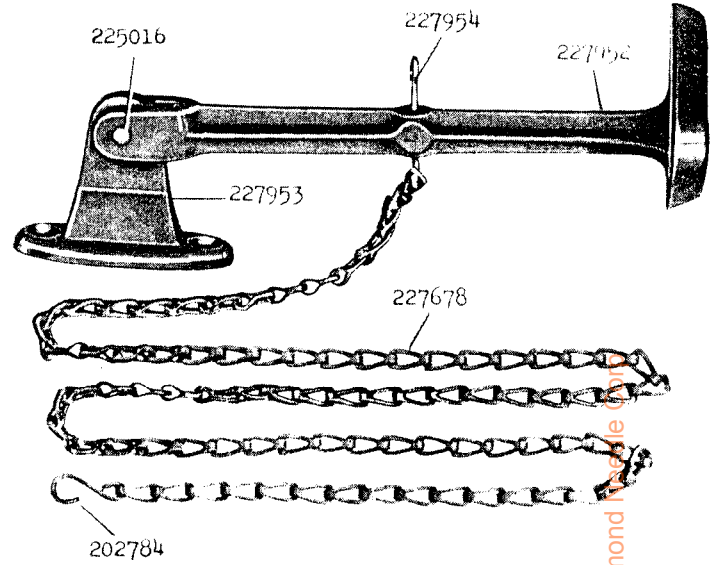
225382

225462



17620 - 1/3

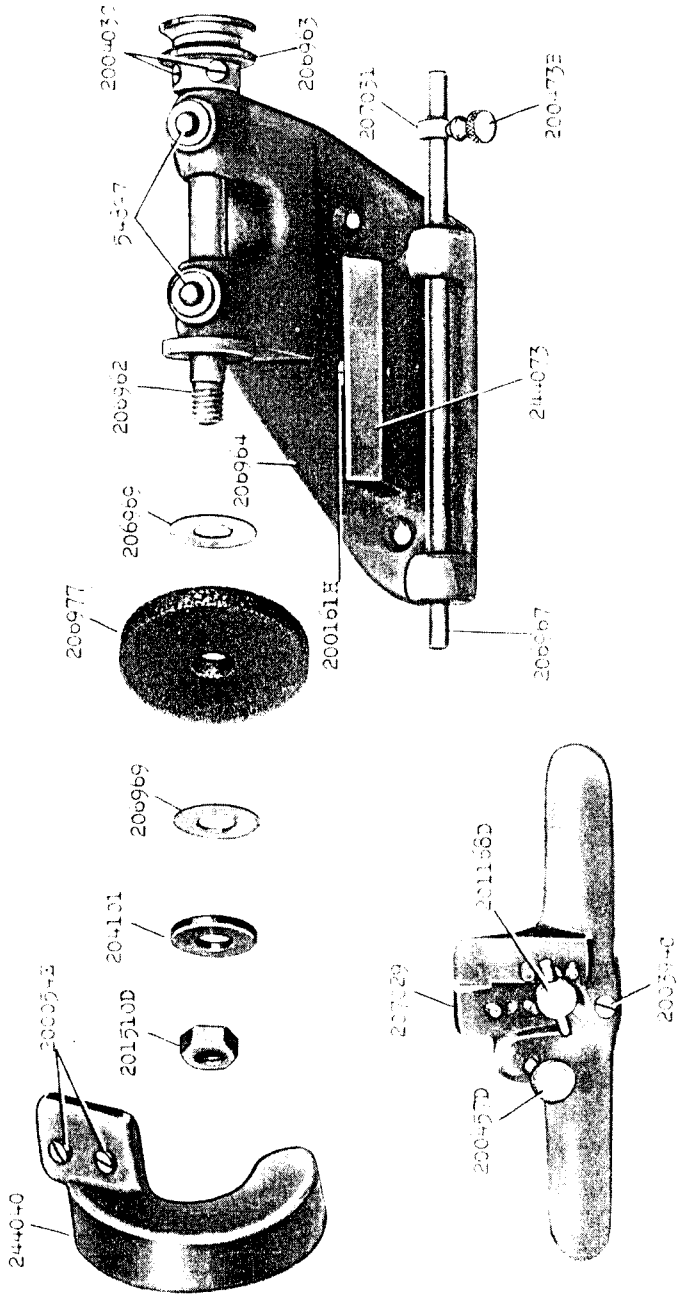
227955



From the library of: Diamond Presses Ltd.

17621 - 1/2

207032



17622 - 1/6

